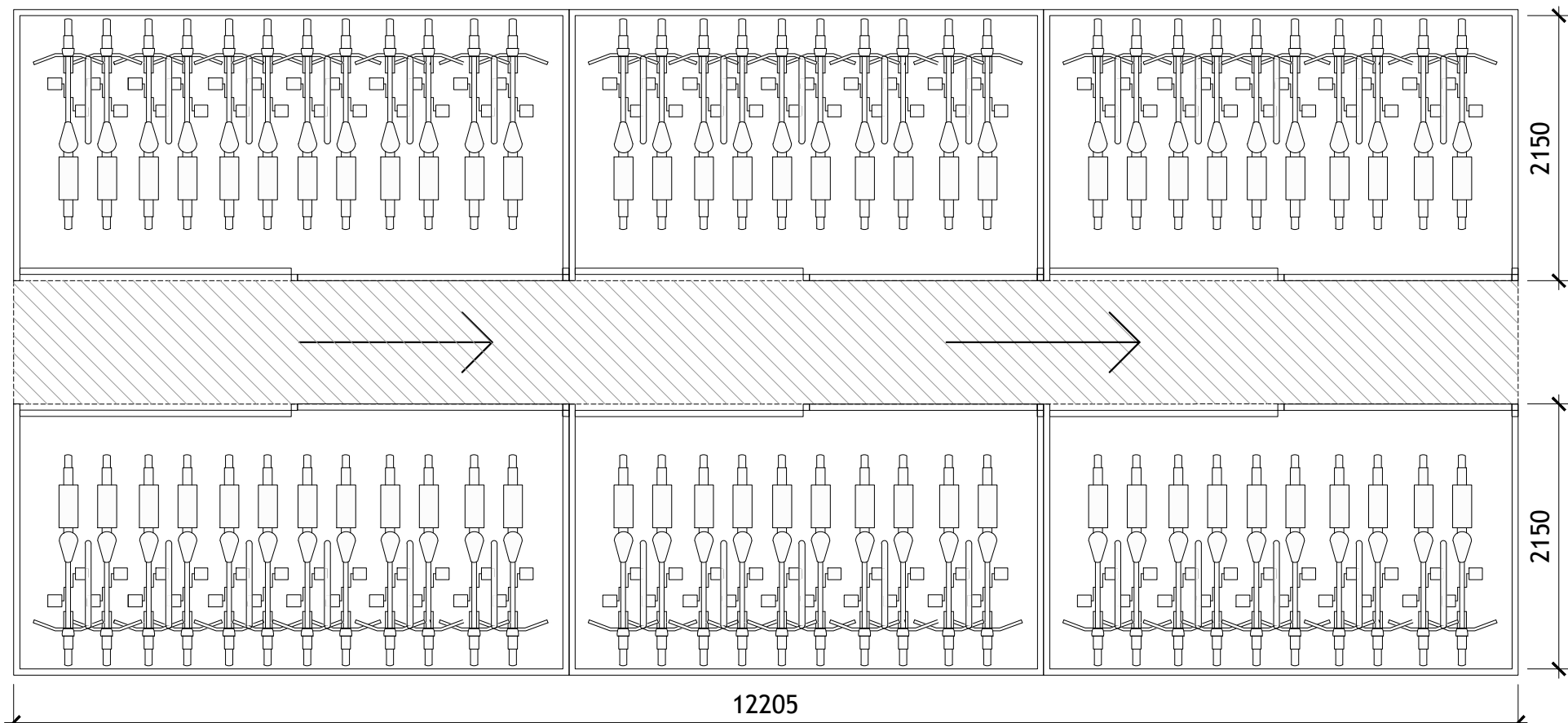
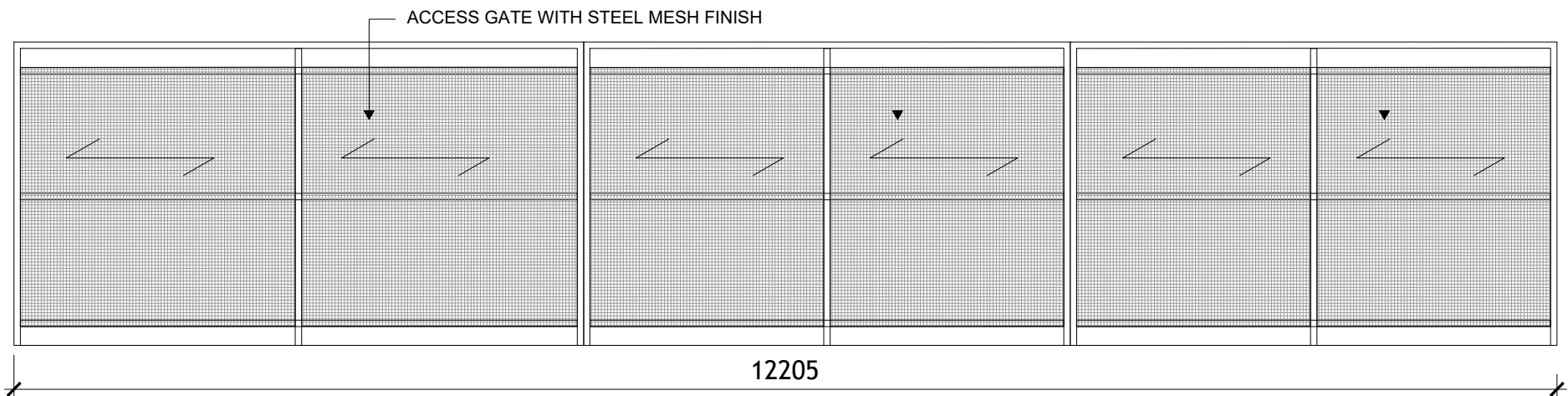


NOTES: NO DIMENSIONS TO BE SCALED FROM THIS DRAWING. ALL DIMENSIONS TO BE CHECKED BY THE CONTRACTOR ON SITE. ANY ERRORS OR DISCREPANCIES TO BE REPORTED TO THE ARCHITECTS IN CHARGE.

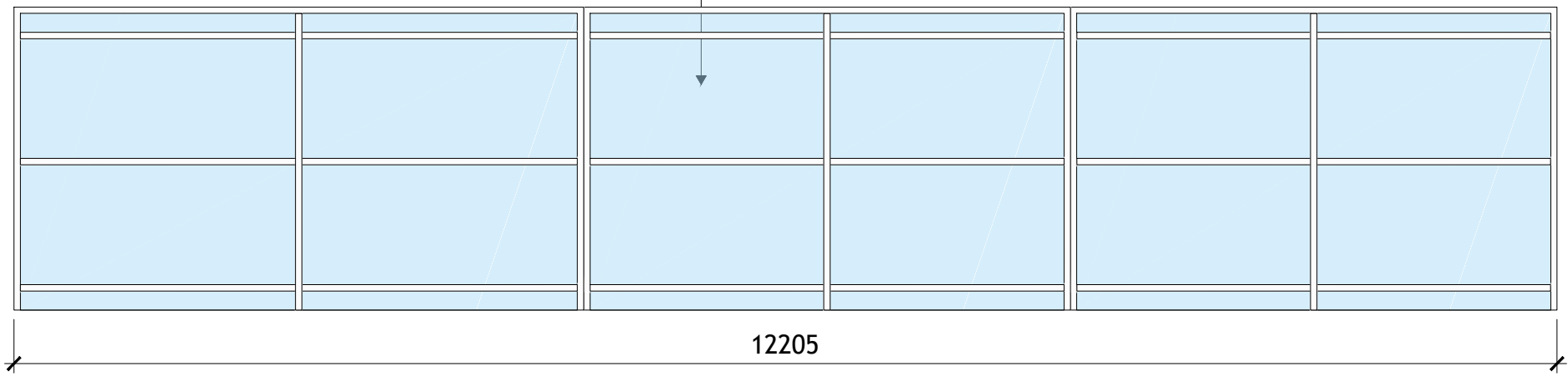
IMPORTANT NOTE: DO NOT SCALE OFF PRINTED DRAWINGS. THESE DRAWINGS ARE PLANNING DESIGN ONLY. ALL DIMENSIONS AND AREAS ARE APPROXIMATE AND ARE SUBJECT TO A DETAILED SITE SURVEY FOR VERIFICATION. ALL PROPOSED WORKS ARE DEPENDANT ON OBTAINING A SUCCESSFUL GRANT OF PLANNING PERMISSION (PP), GRANT OF FIRE SAFETY CERTIFICATE (FSC) AND DISABILITY ACCESS CERTIFICATE (DAC), WHERE REQUIRED. ALL WORKS ARE SUBJECT TO FULL COMPLIANCE WITH ALL RELEVANT BUILDING REGULATIONS, EUROPEAN STANDARDS, CE MARKING / HEN DIRECTIVE, AND ACCREDITED CONSTRUCTION DETAILS (ACD).



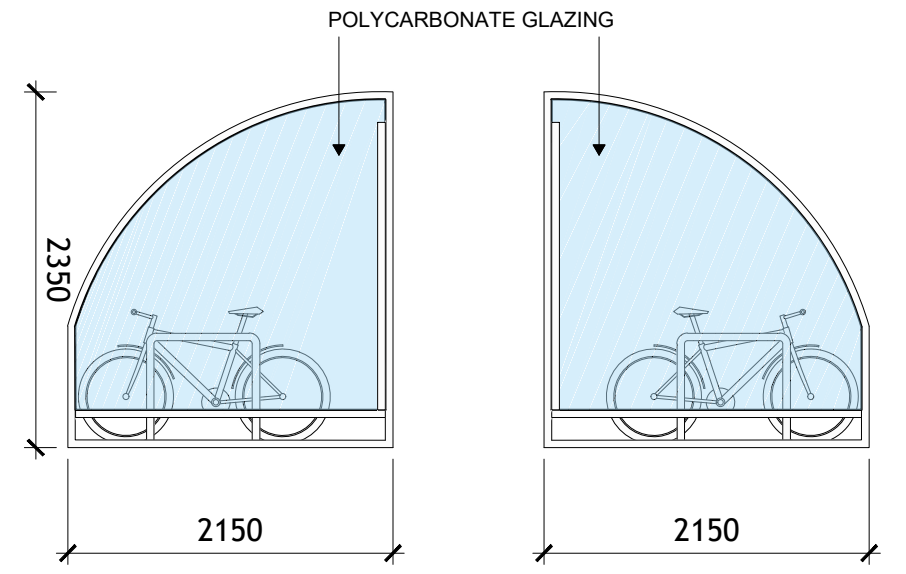
BIKE STORE PLAN



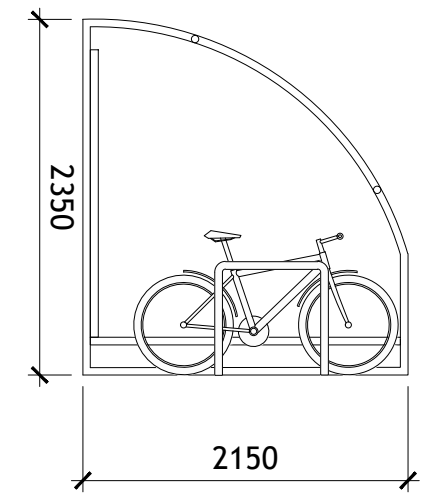
BIKE STORE INNER ELEVATION



BIKE STORE REAR ELEVATION



BIKE STORE SIDE ELEVATION



BIKE STORE SECTION



INDICATIVE IMAGES OF BIKE SHELTER TYPOLOGY IMAGES

INDICATIVE (on ground) BIKE STORE PLANNING