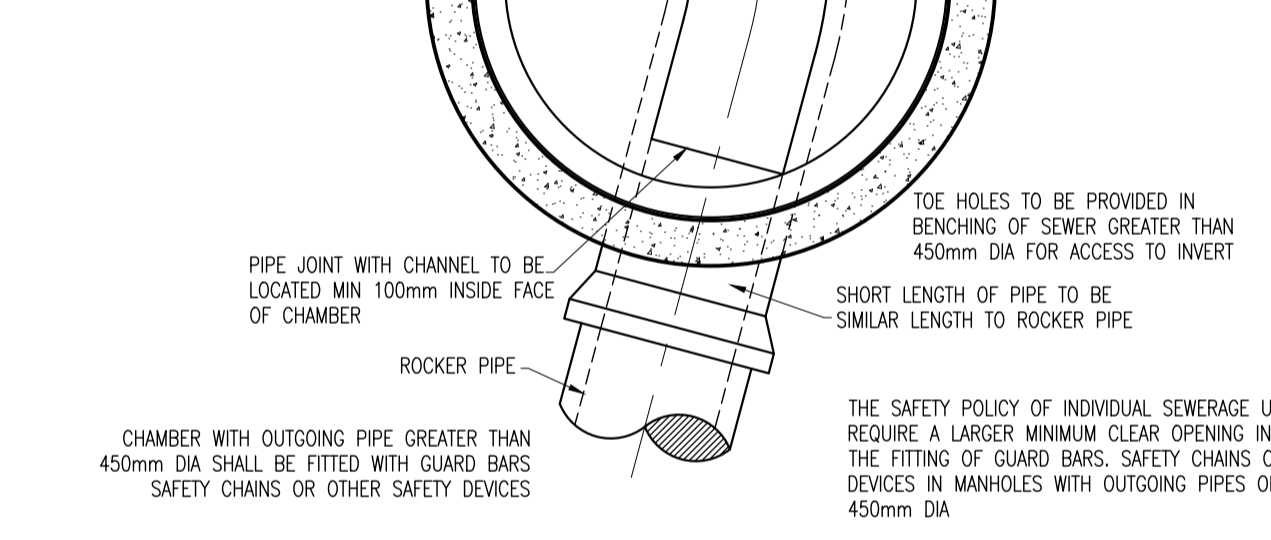


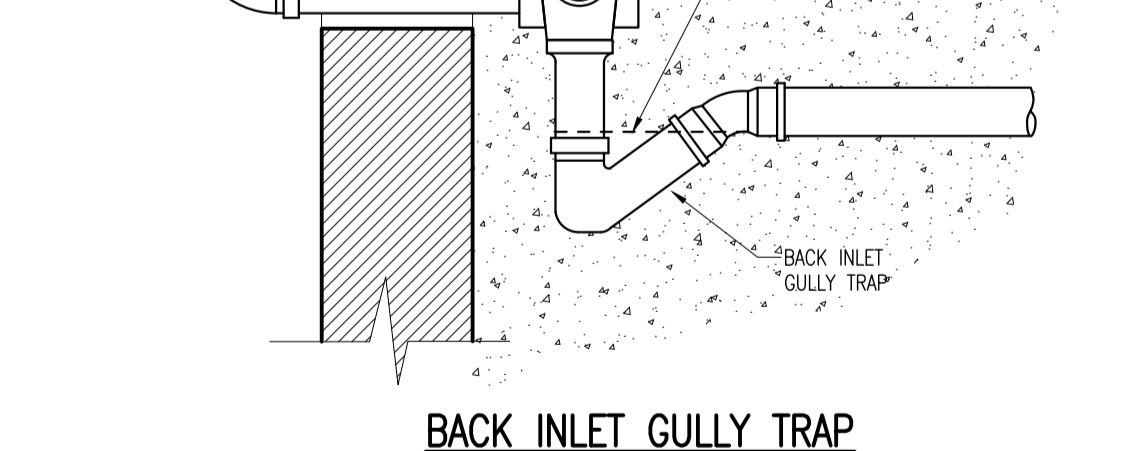
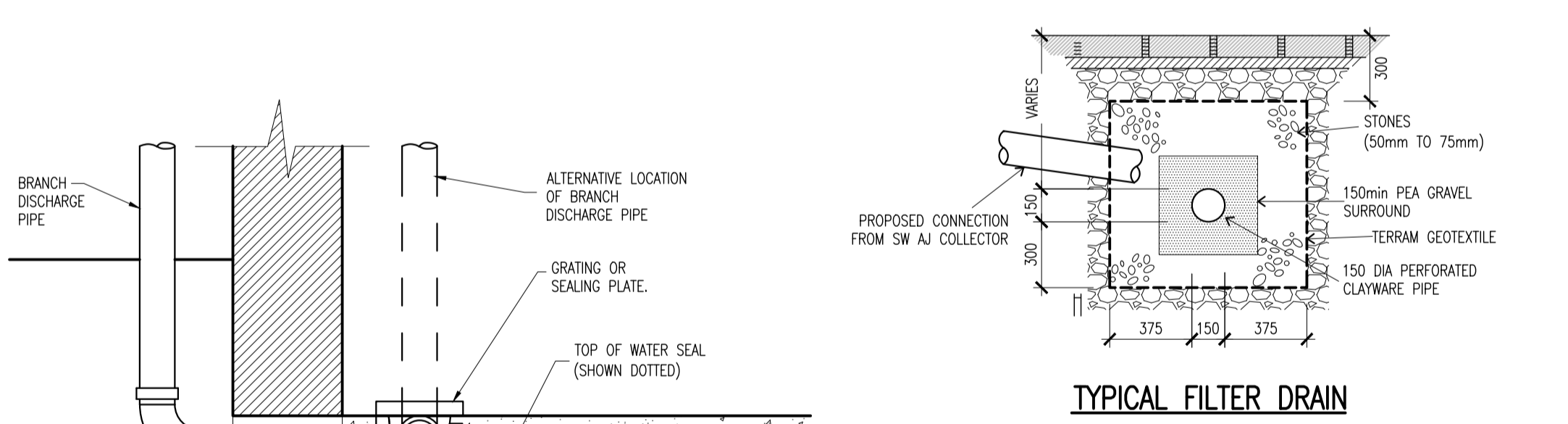
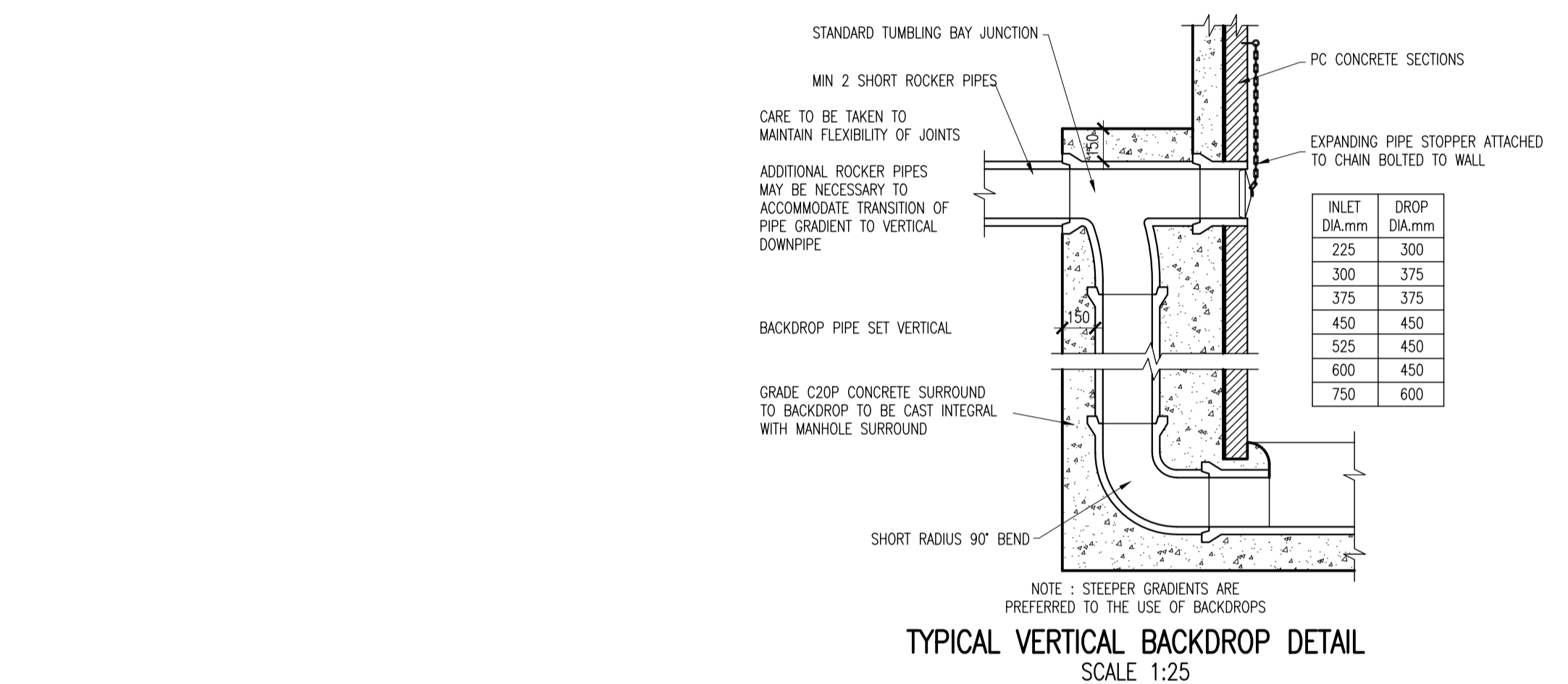
PIPE DIA	ROCKER PIPE LENGTH
150-450	0.5-0.75
451-750	0.75-1.0
750	SEEK GUIDANCE

PIPE DIA	ROCKER PIPE LENGTH
150-450	0.5-0.75
451-750	0.75-1.0
750	SEEK GUIDANCE

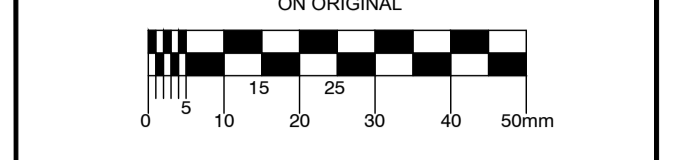


DIAMETER OF LARGEST PIPE IN MANHOLE (mm)	CHAMBER SECTION DIAMETER (mm)
LESS THAN 375	1200
375 - 450	1350
500 - 700	1500
750 - 900	1800
> 750	PIPE SIZE + 1.3m

TABLE 1



© COPYRIGHT OF THIS DRAWING IS RESERVED BY DBFL CONSULTING ENGINEERS. NO PART SHALL BE REPRODUCED OR TRANSMITTED WITHOUT THEIR WRITTEN PERMISSION.



- NOTES:
- ALL WORKS TO BE CONSTRUCTED IN ACCORDANCE WITH NRA SPECIFICATION FOR ROAD WORKS U.N.O.
  - ALL REINFORCED CONCRETE ON THIS DRAWING SHALL BE U.N.O.: 35N20 COVER = 50mm MIN
  - SURFACE FINISHES FOR CONCRETE:
    - CLASS F1 FOR ALL CONCRETE 100mm OR MORE BELOW GROUND LEVEL
    - CLASS F3 FOR ALL EXPOSED CONCRETE ABOVE 100mm BELOW GROUND LEVEL
  - ALL EXPOSED CORNERS ON CONCRETE SHALL BE CHAMFERED WITH 25mm x 25mm CHAMFERS.
  - ALL STRUCTURAL CONCRETE (HEADWALLS, RC MANHOLES, PETROL INTERCEPTOR SLABS) TO RECEIVE MC DUR 1680 (OR SIMILAR APPROVED TAR MODIFIED EPOXY RESIN) TO ALL BURIED SURFACES, TO FINISH 100mm BELOW GROUND LEVEL.
  - ALL SEWERS SHALL BE PRESSURE TESTED PRIOR TO BACKFILLING.
  - RIGID PIPES SHALL MEAN CAST OR SPUN IRON, CONCRETE, ASBESTOS CEMENT OR CLAY.
  - CLASS D400 MANHOLE COVER FRAMES TO BE 150mm DEEP IN ROADS AND 100mm DEEP IN FOOTPATHS AND GREEN AREAS.
  - ALL AGGREGATES PROPOSED FOR USE ON THIS SCHEME SHALL MEET FULLY THE REQUIREMENTS OF THE NRA SPECIFICATION FOR ROAD WORKS AND IN ADDITION THE REQUIREMENTS STATED IN STANDARD RECOMMENDATION S.R. 21:2014 GUIDANCE ON THE USE OF I.S. EN 1242:2002 +A1:2007-AGGREGATES FOR UNBOUND AND HYDRAULICALLY BOUND MATERIALS FOR USE IN CIVIL ENGINEERING WORK AND ROAD CONSTRUCTION.
  - ALL FOUL SEWERS, MANHOLES, AND CONNECTIONS TO BE CONSTRUCTED IN ACCORDANCE WITH IRISH WATER CODE OF PRACTICE AND STANDARD DETAILS.
  - ALL SURFACE WATER SEWERS, MANHOLES, AND CONNECTIONS TO BE CONSTRUCTED IN ACCORDANCE WITH THE GREATER DUBLIN REGIONAL CODE OF PRACTICE FOR DRAINAGE WORKS.

REV	DATE	DESCRIPTION	BY	CHKD
A	08072	SHD STAGE 3 PLANNING	GMC	ASM

**PLANNING SHD STAGE 3**

DESIGNED	DCG	PREPARED	GMC
DATE	JUL 2020	CHECKED	DMW

**DBFL** Dublin Office: Ormrod House, Upper Ormrod Quay, Dublin 7, Ireland. PHONE +353 1 400 4000 FAX +353 1 400 4050  
 WATERFORD OFFICE: Unit 2, The Chandlery, 1-2 O'Connell Street, Waterford, Ireland. PHONE +353 51 308 500 FAX +353 51 844 913

DBFL Consulting Engineers email: info@dbfl.ie site: www.dbfl.ie

PROJECT

**STRATEGIC HOUSING DEVELOPMENT AT SOUTHGATE, DROGHEDA, CO. MEATH**

DRG. TITLE

**TYPICAL DRAINAGE DETAILS SHEET 1**

CLIENT

**ROCKMILL LTD.**

SCALE AS SHOWN @A1 FILE REF. 190081-3011

DRG. NO. **190081-3011**